



A60 Marine Fire Proof Door

 **ZHIYOU MARINE**
Marine & Offshore Equipment Supplier

Shanghai Zhiyou Marine & Offshore Equipment Co., Ltd

Web: www.marineoutfittings.com

Email: info@marineoutfittings.com

Tel: +86 21 5645 2367

Brief

Zhiyou Marine A60 fire proof doors are specially designed marine fire proof door that is particularly suitable for drilling platforms and bulkhead with A60 rating requirements. As we all know, A60 fireproof marine door can effectively isolate the fire cabin or area, to avoid personnel and economic losses. Heavy door leaf can stop the spread of fire, to turn the quick acting handle, affected people or sea crews can quickly evacuated from the scene of the fire.

Specification

Customized design/production is available.

Ready for welding directly to bulkhead or wall.

Sizes are all customized, and ready to fit.

Bulkhead or cabin door for your selection.

Available in natural finish, primed or coated in accordance with specific requirements.

Options for lock, door closer facilities and porthole etc.

Material of clips and edges can be cast steel or stainless steel.

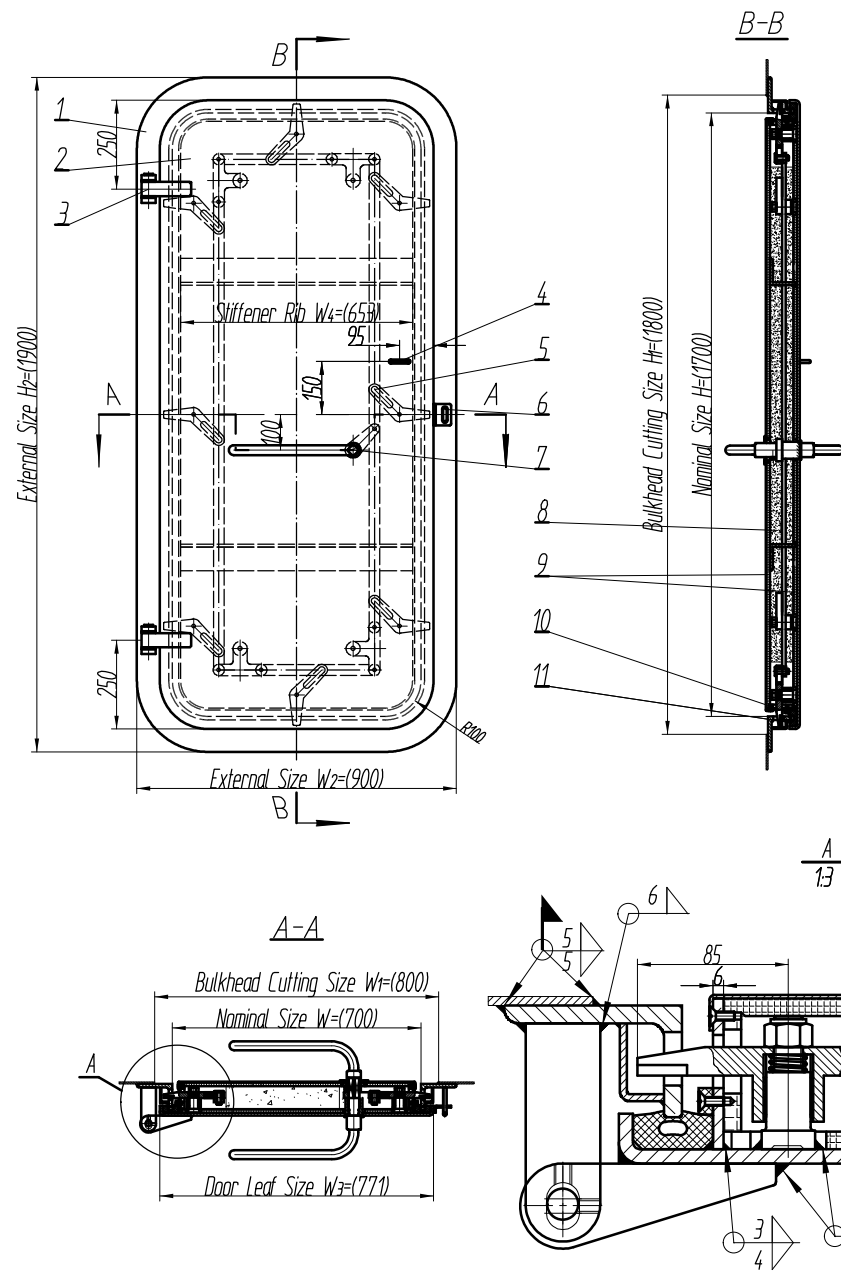
Other requirements.

Dimensions

Nominal Size	Bulkhead Cutting Size	External Size
1600×600	1700×700	1800×800
1600×650	1700×750	1800×850
1600×750	1700×850	1800×950
1700×600	1800×700	1900×800
1700×650	1800×750	1900×850
1700×700	1800×800	1900×900
1800×700	1900×800	2000×900
1800×750	1900×850	2000×950
1800×800	1900×900	2000×1000

*Note: Contained within the sheet above are dimensions for reference only, customized solution or any other requirements please [contact us](#).

The drawings are for reference only, not used as production drawings. 此圖紙僅供參考，不作為生產圖紙。



NO.	Nominal Size $H \times W \times R100$	Bulkhead Cutting Size $H_1 \times W_1 \times R150$	External Size $H_2 \times W_2 \times R200$	Door Leaf Size $H_3 \times W_3 \times R135.5$	Stiffener Rib $H_4 \times W_4$	Opening Direction
1	1600×600	1700×700	1800×800	1671×671	553×680	Left Outside
2	1600×650	1700×750	1800×850	1671×721	603×680	
3	1600×750	1700×850	1800×950	1671×821	703×680	
4	1700×600	1800×700	1900×800	1771×671	553×730	
5	1700×650	1800×750	1900×850	1771×721	603×730	
6	1700×700	1800×800	1900×900	1771×771	653×730	Right Outside
7	1800×700	1900×800	2000×900	1871×771	653×780	
8	1800×750	1900×850	2000×950	1871×821	703×780	
9	1800×800	1900×900	2000×1000	1871×871	753×780	

Note:

The door can also be used for water pressure less than or equal to 0.03MPa watertight door to use.

11	15x8	Watertight Sealing	1	EPDM		
10	45x20	Flame Retardant Rubber Strip	1	EPDM		
9		TC Plate	2	<1200Kg/m ² >		
8		Stuffing	-	Alcium Fibre		
7		Handle Device	1	Assembly		
6		Door Locker	1	Q235-A	GB700-2001	
5		Linkage Clamping Device	1	Assembly		
4		Door Hook	1	Q235-A	GB700-2001	
3		Hinge	2	Assembly		
2		Door Leaf	1	Assembly		
1		Door Frame	1	Q235-A	GB700-2001	
NO.	CODE	NAME	QTY	CODE	STANDARD	REMARK
				MATERIAL		

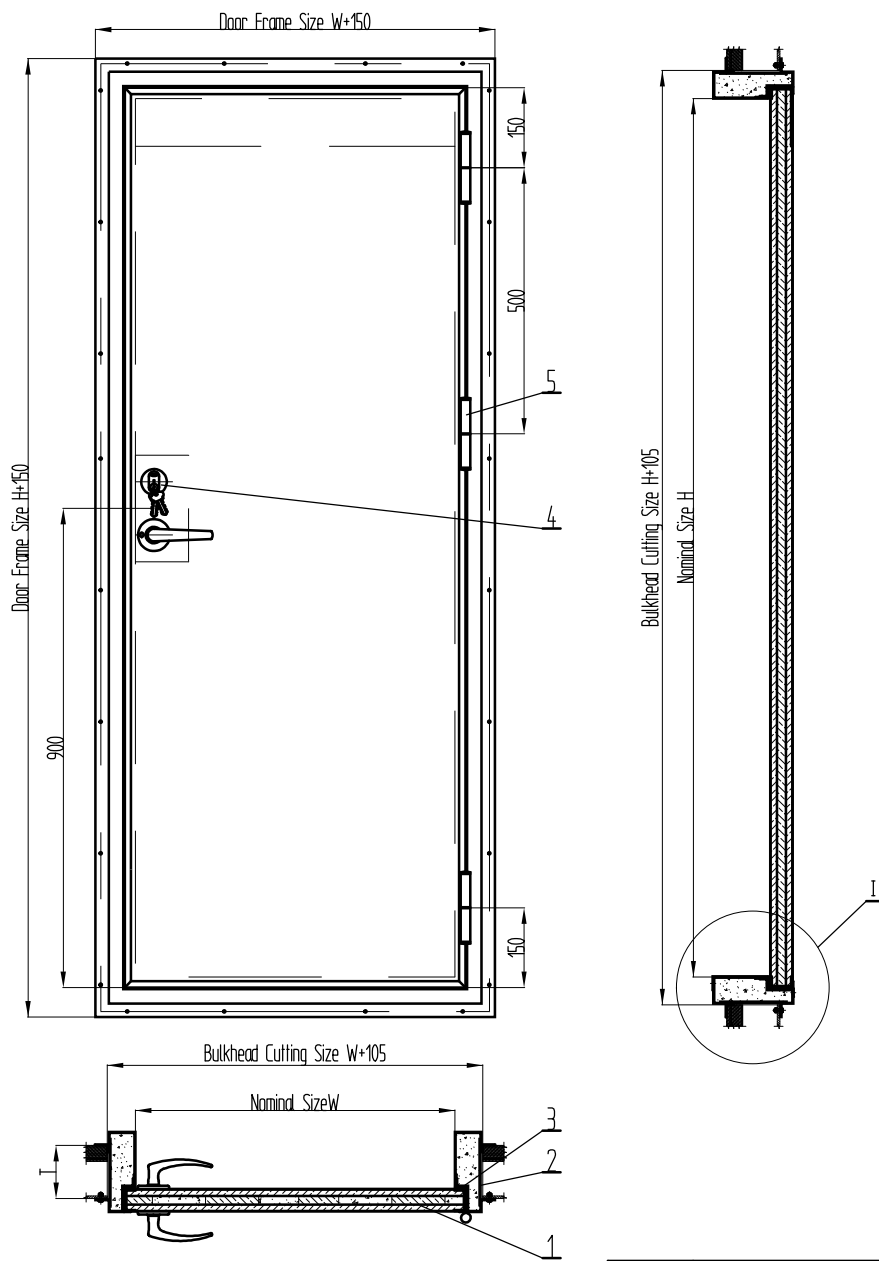
ZHIYOU MARINE

Shanghai Zhiyou Marine & Offshore Equipment Co., Ltd
Room 405, Fudan Software Park, 188 Changyi Road, Shanghai China.
Tel: +86-21-5645-2367
Email: sales@zhiyoumarine.com info@marineoutfittings.com
Web: www.zhiyoumarine.com www.marineoutfittings.com

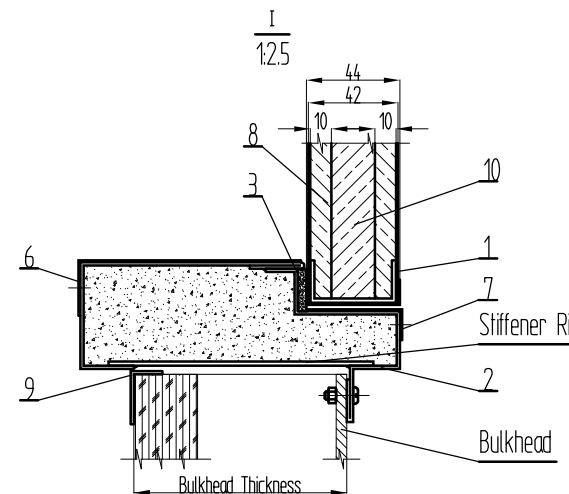
1		Dwg Name	A60 Steel Weathertight Bulkhead Door			
Rev	Description	Date	Scale	1:15 @A3	Dwg No.	ZY-Fd-Mod-02
Note	All dimensions are in millimeters unless otherwise specified.		Sheet	2/2		

The drawings are for reference only, not used as production drawings. 此圖紙僅供參考，不作為生產圖紙。

The drawings are for reference only, not used as production drawings. 此圖紙僅供參考，不作為生產圖紙。



10	18×500×1000	Stuffing	1	Aluminum silicate fiber			Density<1000Kg/m ³
9	T=1.5mm	Decorate plate	1	A3			
8	T=10mm	Stuffing	1	Calcium silicate board			Density170Kg/m ³
7	T=0.8mm	Lower footboard	1	1Cr18Ni9Ti			
6	T=0.8mm	Upper footboard	1	1Cr18Ni9Ti			
5	PH7141 5"	Hinge	3	1Cr18Ni9Ti			
4	C-1	Lock	1	1Cr18Ni9Ti			
3	20×4	Sealing	1	Flexible graphite			
2	T=1.5mm	Door frame	1	A3			
1	T=0.8mm	Door leaf	1	Assembly			
NO.	CODE	NAME	QTY	MATERIAL	S.	T.	REMARK
					WEIGHT		



Technical requirement :

1. Door plate and frame to be straight and flat.Hinge center of upper hinge,middle hinge and lower hinge to be installed on the same vertical line.Door to be opened flexibly.
2. For door plate and frame,uprightness degree of not to be more than1mm. Straightness degree of four sides not to be more than 1mm/m;Depth deviation of door frame not to be more than 2mm ;
3. Parts to be smooth without burr and crack etc defects.

ZHIYOU MARINE

Shanghai Zhiyou Marine & Offshore Equipment Co., Ltd
Room 405,Fudan Software Park,188 Changyi Road, Shanghai China.
Tel: +86-21-5645-2367
Email: sales@zhiyoumarine.com info@marineoutfittings.com
Web: www.zhiyoumarine.com www.marineoutfittings.com

1			Dwg Name	A60 Steel Marine Cabin Door			
Rev	Description	Date	Scale	1:10 @A3	Dwg No.	ZY-Fd-Mod-01	
Note	All dimensions are in millimeters unless otherwise specified.		Sheet	1/2	-		

The drawings are for reference only, not used as production drawings. 此圖紙僅供參考，不作為生產圖紙。